



NEEL Industrial™
SOLUTIONS PVT.LTD
Technology for process line

DIVISION PROCESS HOSE

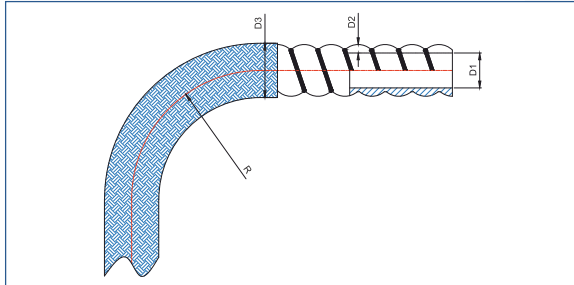


Smooth Bore - Smooth Flow Flexible PTFE Hose

Smooth bore flexible PTFE hose with stainless steel helix and high tensile stainless steel braid

Ultra hygienic non-convoluted PTFE (polytetrafluoroethylene) liner with stainless steel helix and a AISI 304 high tensile, stainless steel braid. The hose has exceptionally good vacuum and kink resistance properties for extreme performance.

Smooth Flow® should be specified for applications where Ultra Hygienic non-convoluted hose and high flexibility are imperative, e.g. Food, Bio, Pharmaceutical and Cosmetic industry.



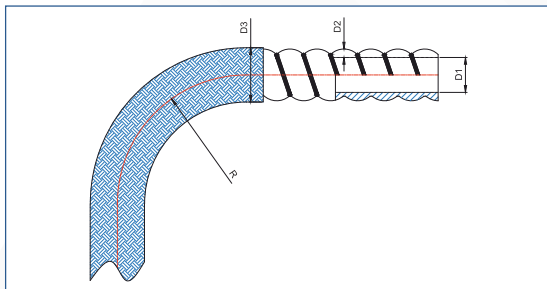
Size	D1	D2	D3	R	WP	BP	Weight
	min.	min.	min.	mm	Bar 20° C		
1/2"	11.5	1.5	15.8	38	50	250	290
3/4"	20.00	1.5	26.70	50	60	290	430
1"	22.80	1.5	29.80	70	40	210	653
1 1/4"	30.50	1.5	37.50	85	45	210	750
1 1/2"	36.50	2	46.50	100	40	175	800
2"	48.50	2	58.30	140	25	135	950

TEMP.-70°C + 260°C

Smooth bore flexible PTFE hose with stainless steel helix and polypropylene braid.

Ultra hygienic non-convoluted PTFE (polytetrafluoroethylene) liner with stainless steel helix and a polypropylene braid. The hose has exceptionally good vacuum- and kink resistance properties for extreme performance.

Smooth Flow® should be specified for applications where Ultra hygienic non-convoluted hose and high flexibility are imperative, e.g. Food, Bio Pharmaceutical and Cosmetic industry.



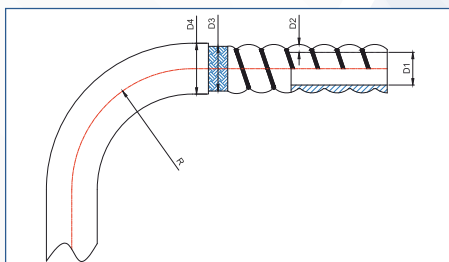
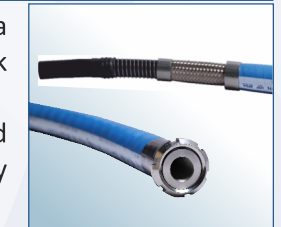
Size	D1	D2	D3	R	WP	BP	Weight
	min.	min.	min.	mm	Bar 20° C		
1/2"	11.5	1.5	21.6	38	10	40	232
3/4"	20.00	1.5	30.60	50	10	40	344
1"	22.80	1.5	33.60	70	10	40	522
1 1/4"	30.50	1.5	41.30	85	10	40	600
1 1/2"	36.50	2	49.70	100	10	40	640
2"	48.50	2	61.90	140	10	40	760

TEMP.-70°C + 90°C

Smooth bore flexible PTFE hose with stainless steel helix and EPDM vulcanized high tensile stainless steel braid. Standard wall.

Ultra hygienic non-convoluted PTFE (polytetrafluoroethylene) liner with stainless steel helix and a AISI 304 high tensile, stainless steel braid. The hose has exceptionally good vacuum- and kink resistance properties for extreme performance.

Smooth Flow® should be specified for applications where Ultra hygienic non-convoluted hose and high flexibility are imperative. The EPDM vulcanized stainless steel braid ensures a high flexibility and easy clean ability. Making it ideal for Food, Bio, Pharmaceutical and Cosmetic industry.



Size	D1	D2	D3		R	WP	BP	Weight
	average	min.	min.	max.	mm	Bar 20° C		
1/2"	11.5	1.25	20.8	22.8	60	50	250	400
5/8"	15.5	1.25	25.5	27.5	65	50	250	640
3/4"	18.5	1	28.6	30.6	80	60	290	900
1"	22.8	1	32.7	34.7	120	40	210	1000
1 1/4"	30.5	1.5	41.8	43.8	155	45	210	1500
1 1/2"	36.5	1.5	49.1	50.1	200	40	175	1750
2"	48.5	1.65	60.2	62.2	250	25	135	2650

TEMP.-70°C + 140°C

Smooth Bore - Smooth Flow Flexible PTFE Hose

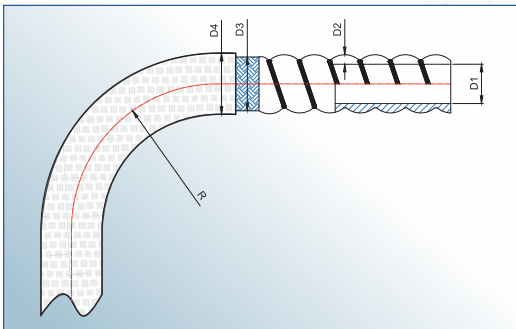
Smooth bore flexible PTFE hose with stainless steel helix with Silicone vulcanized high tensile stainless steel braid. Standard wall.

Ultra hygienic non-convoluted PTFE (polytetrafluorethylene) liner with stainless steel helix with an outer cover of vulcanized Silicone high tensile stainless steel braid, which ensures a high flexibility and easy clean ability. The hose has exceptionally good vacuum- and kink resistance properties for extreme performance.

Smooth Flow® should be specified for applications where Ultra hygienic non-convoluted hose and high flexibility are imperative. The Silicone vulcanized stainless steel braid ensures a high flexibility and easy clean ability. Making it ideal for Food, Bio, Pharmaceutical and Cosmetic industry.



End Connection :- are also available such as TC, Flange, Camlock, SMS, DIN, etc



Size	D1	D2	D3		R	WP	BP	Weight
	average	min.	min.	max.	mm	Bar 20° C	gr/m	
1/2"	11.5	1.25	20.8	22.8	60	50	250	400
5/8"	15.5	1.25	25.5	27.5	65	50	250	640
3/4"	18.5	1	28.6	30.6	80	60	290	900
1"	22.8	1	32.7	34.7	120	40	210	1000
1 1/4"	30.5	1.5	41.8	43.8	155	45	210	1500
1 1/2"	36.5	1.5	49.1	50.1	200	40	175	1750
2"	48.5	1.65	60.2	62.2	250	25	135	2650

TEMP.-70°C + 200°C

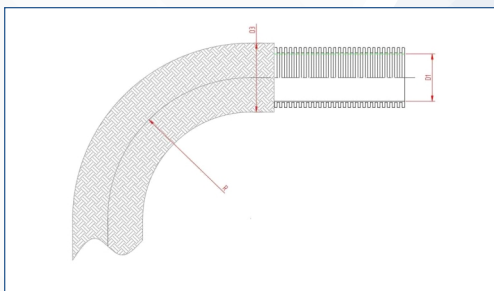
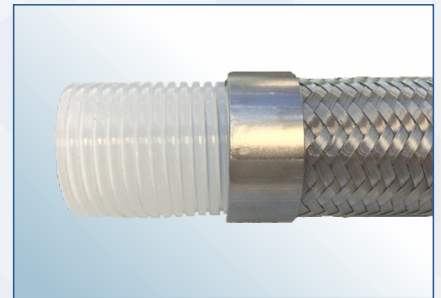
Xtra-Flow® Hose

Construction:

Ultra hygienic smooth PTFE

(polytetrafluorethylene) liner and a AISI 316 high tensile, stainless steel braid. The hose is extremely flexible and has exceptionally good vacuum and kink resistance properties for extreme performance and flexibility.

Xtra-Flow® should be specified for applications where Ultra hygienic non - convoluted hose and/or high flexibility are imperative.



Size	D1	D3	R	WP	BP	Vacuum	Weight
	nom.	nom.	mm	Bar 20° C	Bar 20° C	Bar 20° C	
1/4"	6.50	9.50	13	192	768	-0.9	122
5/16"	8.00	11.20	15	143	572	-0.9	132
3/8"	10.00	13.80	24	135	540	-0.9	202
1/2"	13.10	18.00	37	114	457	-0.9	275
5/8"	16.30	21.60	50	102	409	-0.9	373
3/4"	19.60	24.50	77	87	347	-0.9	417
7/8"	22.15	28.00	78	85	340	-0.9	551
1"	25.50	32.60	80	81	324	-0.9	776
1 1/4"	32.40	39.60	100	63	251	-0.9	912
1 3/8"	34.80	42.80	130	60	240	-0.9	1060
1 1/2"	39.00	46.80	145	55	220	-0.9	1175
1 7/8"	47.70	55.80	210	48	192	-0.9	1389
2"	51.00	59.10	250	47	189	-0.9	1563

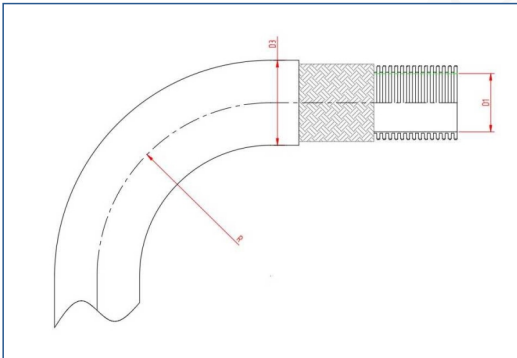
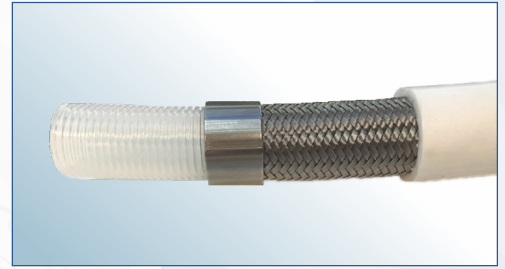
TEMP.-70°C + 260°C

Pharma-Flow® Hose

Construction:

Ultra hygienic smooth bore flexible PTFE (polytetrafluorethylene) hose with convoluted outer wall and a AISI 316 high tensile, stainless steel braid with extruded silicone. The hose is extremely flexible and has exceptionally good vacuum and kink resistance properties for extreme performance and flexibility.

Pharma-Flow® should be specified for applications where Ultra hygienic smooth hose and/or high flexibility are imperative.



Size	D1	D3	R	WP	BP	Vacuum	Weight
	nom.	nom.	mm	Bar 20° C		Bar 20° C	gr/m
1/2"	13.10	23.00	37	114	457	-0.9	522
5/8"	16.30	27.00	50	102	409	-0.9	603
3/4"	19.60	31.00	77	87	347	-0.9	817
7/8"	22.15	35.00	78	85	340	-0.9	990
1"	25.50	38.70	80	81	324	-0.9	1016
1 1/8"	32.40	46.00	100	63	251	-0.9	1272
1 3/8"	34.80	50.00	130	60	240	-0.9	1541
1 1/2"	39.00	52.00	145	55	220	-0.9	1735
1 7/8"	47.70	61.00	210	48	192	-0.9	2113
2"	51.00	67.00	250	47	189	-0.9	2318

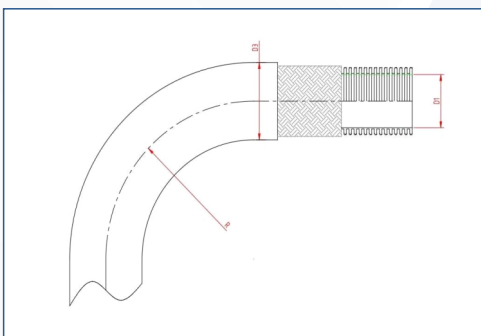
TEMP.-70°C + 170°C

Pure-Flow® Hose

Construction:

Ultra hygienic smooth bore flexible PTFE (polytetrafluorethylene) hose with convoluted outer wall and a AISI 316 high tensile, stainless steel braid with vulcanized EPDM. The hose is extremely flexible and has exceptionally good vacuum and kink resistance properties for extreme performance and flexibility.

Pure-Flow® should be specified for applications where Ultra hygienic smooth hose and/or high flexibility are imperative.



Size	D1	D3	R	WP	BP	Vacuum	Weight
	nom.	nom.	mm	Bar 20° C		Bar 20° C	gr/m
1/2"	13.10	23.00	37	114	457	-0.9	522
5/8"	16.30	27.00	50	102	409	-0.9	603
3/4"	19.60	31.00	77	87	347	-0.9	817
7/8"	22.15	35.00	78	85	340	-0.9	990
1"	25.50	38.70	80	81	324	-0.9	1016
1 1/8"	32.40	46.00	100	63	251	-0.9	1272
1 3/8"	34.80	50.00	130	60	240	-0.9	1541
1 1/2"	39.00	52.00	145	55	220	-0.9	1735
1 7/8"	47.70	61.00	210	48	192	-0.9	2113
2"	51.00	67.00	250	47	189	-0.9	2318

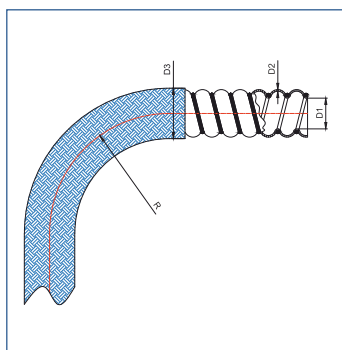
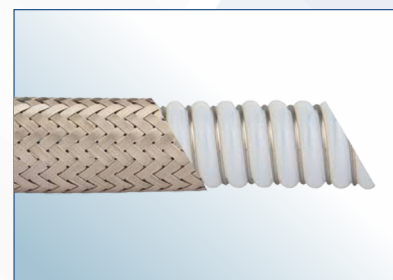
TEMP.-70°C + 200°C

Convoluted flexible PTFE hose with vacuum wire and stainless steel braid - medium wall.

A helically convoluted PTFE (Polytetrafluorethylene) suction/pressure hose, medium wall, with external vacuum wire and high tensile stainless steel braid. The hose has very good vacuum and kink resistance.

Hose fittings with PTFE tail Hose fittings with Hydraulic tail Industrial fittings with PTFE lining.

Convo Flow® - M/W1/B1 should be specified for steam applications or when high vacuum hose applications are required. Generally excellent mechanical strength.



Size	D1		D2	D3		R	WP	BP	Vaccum	Weight
	min	max	min.	min.	max.					
1/4"	5.5	9.9	0.52	9.9	11.5	25	35	170	774	150
3/8"	8.5	10.5	0.62	13.2	14.7	25	35	170	774	203
1/2"	11.6	16.9	0.82	12.9	14.4	25	60	300	947	220
5/8"	15.1	16.4	0.88	16.2	17.5	35	55	270	947	320
3/4"	19.5	20.5	1.00	28.6	31.4	55	60	290	947	540
1"	24.5	25.5	1.10	34.2	38.2	85	40	210	947	890
1 1/4"	31.5	32.5	1.15	41.9	46.1	100	40	210	947	1180
1 1/2"	36.5	37.5	1.45	47.2	49.9	120	35	175	947	1710
1 3/4"	44.5	45.5	1.45	55.8	61.4	135	25	135	947	2450
2"	49.5	50.5	1.50	60.5	66.7	165	25	135	947	2610
2 1/2"	62.5	63.5	1.60	80.9	89.1	230	16	80	947	3440
3"	73.5	74.5	1.60	90.4	99.6	260	14	65	947	4710
4"	94.5	99.5	1.82	121.1	127.5	300	10	40	947	5550
6"	150	154	2.5	179.0	189	520	6	24	554	6750

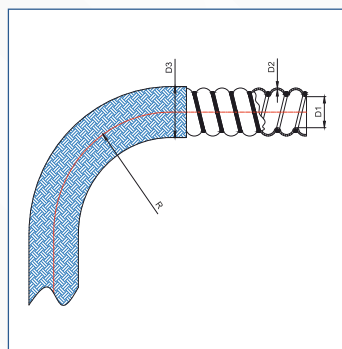
TEMP.-70°C + 260°C

Convoluted flexible PTFE hose with vacuum wire and polypropylene braid - medium wall.

A helically convoluted PTFE (Polytetrafluorethylene) suction/pressure hose, medium wall, with external vacuum wire with and high tensile polypropylene braid. The hose has very good vacuum and kink resistance.

Hose fittings with PTFE tail Hose fittings with Hydraulic tail Industrial fittings with PTFE lining.

Convo Flow®-M/W1/B1 should be specified for steam applications or when high vacuum hose applications are required. Generally excellent mechanical strength.



Size	D1		D2	D3		R	WP	BP	Vaccum	Weight
	min.	max.	min.	min.	max.					
1/2"	11.6	13.6	0.82	21.4	23.4	50	10	40	887	210
5/8"	15.1	16.4	0.88	26.3	28.2	65	10	40	887	400
3/4"	19.5	20.5	1.00	31.1	33.9	55	10	40	887	490
1"	24.5	25.5	1.10	36.7	40.7	85	10	40	887	810
1 1/4"	31.5	32.5	1.15	44.4	48.6	100	10	40	887	1070
1 1/2"	36.5	37.5	1.45	49.7	52.4	120	10	40	887	1310
1 3/4"	44.5	45.5	1.45	58.3	63.9	135	10	40	887	1850
2"	49.5	50.5	1.50	62.5	69.2	165	10	40	887	2050
2 1/2"	62.5	63.5	1.60	83.4	91.6	230	7	28	887	3440
3"	73.5	74.5	1.60	92.9	102.2	260	6	24	887	5710

TEMP.-70°C + 90°C

Convo Flow Convoluted PTFE Hose

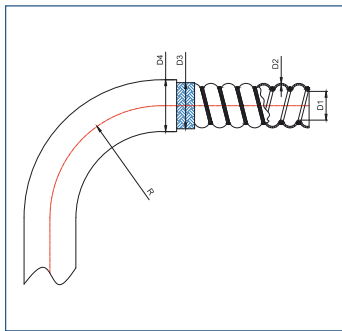
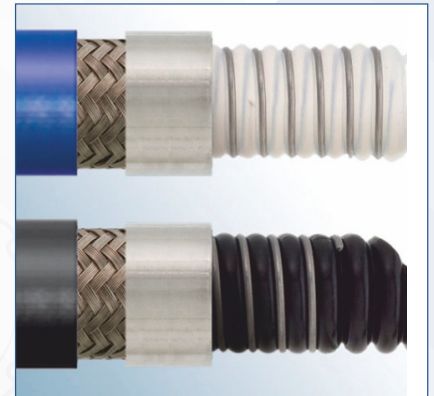
Convoluted PTFE hose with vacuum wire and EPDM vulcanized high tensile stainless steel braid - medium wall.

A helically convoluted PTFE (Polytetrafluorethylene) suction/pressure hose, medium wall, with stainless steel braid external vacuum wire with EPDM vulcanized high tensile. The hose has very good vacuum and kink resistance.

Hose fittings with PTFE tail Hose fittings with Hydraulic tail Industrial fittings with PTFE lining.

Convo Flow®-M/W1/B1/EP should be specified for steam applications or when high vacuum hose applications are required. Generally excellent mechanical strength.

EPDM vulcanized stainless steel braid ensures a high flexibility and easy clean ability. Making it ideal for Food, Bio, and Cosmetic industry.



Size	D1		D2	D3		R	WP	BP	Vaccum	Weight
	min.	max.	min.	min.	max.	mm	Bar 20° C		mbar20°C	gr/m
1/2"	11.6	16.9	0.82	19.9	26.9	25	60	300	947	220
5/8"	15.1	16.4	0.88	23.2	30.2	35	55	270	947	320
3/4"	19.5	20.5	1.00	35.6	42.6	55	60	290	947	540
1"	24.5	25.5	1.10	41.2	48.2	85	40	210	947	890
1 1/4"	31.5	32.5	1.15	48.9	55.9	100	40	210	947	1180
1 1/2"	36.5	37.5	1.45	54.2	61.2	120	35	175	947	1710
1 3/4"	44.5	45.5	1.45	62.8	69.8	135	25	135	947	2450
2"	49.5	50.5	1.50	67.5	74.5	165	25	135	947	2610

TEMP.-70°C + 140°C

Convoluted flexible PTFE hose with vacuum wire and Silicon vulcanized high tensile stainless steel braid - medium wall.

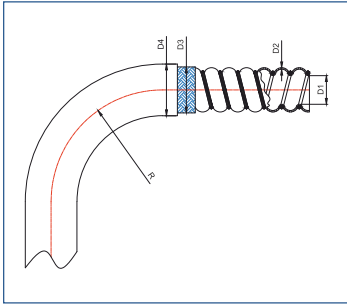
A helically convoluted PTFE (Polytetrafluorethylene) suction/pressure hose, medium wall, with external vacuum wire with stainless steel braid with silicon vulcanized high tensile. The hose has very good vacuum and kink resistance.

Hose fittings with PTFE tail Hose fittings with Hydraulic tail Industrial fittings with PTFE lining.

Convo Flow®-M/W1/B1/SI should be specified for steam applications or when high vacuum hose applications are required. Generally Excellent mechanical strength. Silicone vulcanized stainless steel braid ensures a high flexibility and easy cleanability. Making it ideal for Food, Bio, and Cosmetic industry. The Silicon cover is white, FDA compliant.

End Connection:- are also available such as TC, Flange, Camlock, SMS, DIN, etc





Size	D1		D2	D3		R	WP	BP	Vaccum	Weight
	min.	max.	min.	min.	max.	mm	Bar 20° C		mbar20°C	gr/m
1/2"	11.6	16.9	0.82	19.9	26.9	25	60	300	947	220
5/8"	15.1	16.4	0.88	23.2	30.2	35	55	270	947	320
3/4"	19.5	20.5	1.00	35.6	42.6	55	60	290	947	540
1"	24.5	25.5	1.10	41.2	48.2	85	40	210	947	890
1 1/4"	31.5	32.5	1.15	48.9	55.9	100	40	210	947	1180
1 1/2"	36.5	37.5	1.45	54.2	61.2	120	35	175	947	1710
1 3/4"	44.5	45.5	1.45	62.8	69.8	135	25	135	947	2450
2"	49.5	50.5	1.50	67.5	74.5	165	25	135	947	2610

TEMP:-70°C + 200°C

KEY PROPERTIES: PTFE

- Virgin PTFE Wide temperature range of -70°C to +260°C.
- Antistatic PTFE Excellent insulation, dielectric properties.
- Extremely low coefficient of friction; non-stick.
- Chemically inert, with the exception of a small number of unusual substances and conditions, including liquid boiling sodium metal and fluorine gas at high pressure and temperature.
- PTFE is hydrophobic (will not absorb moisture).
- Excellent UV resistance.
- Unlimited shelf life.
- Excellent flex fatigue qualities, Exceeds all other hose rivals.
- PTFE conforms to FDA21 CFR 177.1550.
- Antistatic PTFE conforms to FDA 21 CFR 178.3297 and is non leaching.

CERTIFICATION: PTFE

- Virgin PTFE - FDA 21 CFR 177.1550.
- Antistatic PTFE - FDA 21 CFR 178.3297.
- Meets the requirements of US Pharmacopeia Class VI.
- BPSA/FDA leachables and extractables recommendations.
- 3- A Sanitary Standards.
- ATEX Group IIA, IIB and IIC - area types '0, 1 and 2 (in accordance to 1999/92/CE).
- The quality management of Xtraflex NV. has been certified according to NBN- EN - ISO-9001: 2008.
- European Migration Directive 1935/2004

Chemical Virgin PFA Hose

Chemical Virgin PFA Hose

Virgin PFA (Perfluoroalkoxy Polymer), light colour, fully fluorinated, mirror smooth. Absolute and long term resistance to heat, cracking under stress and bending.

EPDM rubber {code 140BI}, light colour, smooth, food quality, abrasion, ozone and weather resistant, cloth finish.

High strength plies of synthetic cord and embedded steel helix wire.

From -50°C to +170°C depending on the fluids conveyed.

Multipurpose hose, specifically designed for conveying chemical, pharmaceutical, cosmetic and food industries, excellent solution for processing industries required at most safety during transport of high purity products, suction and delivery hose



TECHNICAL SPECIFICATIONS

SIZE TOLERANCES: I.D.: ISO 1307 - Wall Thickness: DIN 7715 T4 S2 - Length: ISO 1307

Inner Diameter mm	Outer Diameter mm	Wall Thickness mm	Working Pressure BAR	Burst Pressure BAR	Min. Bending Radius mm	Vaccum BAR	Approx Weight kg/m	Max. Length m
13	25	6.0	10	40	60	-0.9	0.55	20
19	31	6.0	10	40	90	-0.9	0.72	20
25	37	6.0	10	40	140	-0.9	0.89	20
32	45	6.5	10	40	200	-0.9	1.20	20
38	51	6.5	10	40	250	-0.9	1.47	20
51	65.5	7.25	10	40	300	-0.9	2.08	20
63.5	79.5	8.0	10	40	380	-0.9	3.00	20
76	92	8.0	10	40	500	-0.9	3.48	20
100	116	8.0	10	40	550	-0.9	4.90	20

Antistatic Chemical PFA Hose

PFA (Perfluoroalkoxy Polymer), white colour, fully fluorinated, mirror-smooth. Odourless and tasteless.

High strength plies of synthetic cord and embedded steel helix wire.

Marble finish (UPE), black and white, patented, smooth, resistant to abrasion, ozone and ageing. Antistatic: Electrical resistance $R < 106 \Omega$

From -40°C to +130°C depending on the fluids conveyed and the application.

Multipurpose hose, specifically designed to convey pharmaceutical, cosmetic and chemical substances. Especially suitable for application in pharmaceutical environments and production processes requiring the use of non-contaminating, inert materials.

End Connection:- are also available such as TC, Flange, Camlock, SMS, DIN, etc



TECHNICAL SPECIFICATIONS

SIZE TOLERANCES: I.D.: ISO 1307 Wall Thickness: DIN 7715 T4 S2 - Length: ISO 1307

Inner Diameter mm	Outer Diameter mm	Wall Thickness mm	Working Pressure BAR	Burst Pressure BAR	Vaccum BAR	Min. Bending Radius (Static) mm	Min. Bending Radius (Static) mm	Approx Weight kg/m	Max. Length m
13	25	6.0	10	40	-0.9	45	60	0.55	20
19	31	6.0	10	40	-0.9	65	90	0.72	30
25	37	6.0	10	40	-0.9	85	140	0.89	30
32	45	6.5	10	40	-0.9	120	200	1.16	30
38	51	6.5	10	40	-0.9	140	250	1.47	30
51	65.5	7.25	10	40	-0.9	180	300	2.08	30
63.5	79.5	8.0	10	40	-0.9	250	380	2.80	20
76	92	8.0	10	40	-0.9	350	500	3.48	20
100	117	8.5	10	40	-0.9	700	700	4.77	20

Chemical Virgin PFA Hose

KEY PROPERTIES OF PFA HOSE/ ANTISTATIC PFA HOSE

- From -40°C to +130°C depending on the fluids conveyed and the application. In case of dynamic application: from +10°C to 40°C
- High strength plies of synthetic cord and embedded steel helix wire.
- Marble finish (UPE), black and white, patented, smooth, resistant to abrasion, ozone and ageing.
- Antistatic: Electrical resistance $R < 10^6 \Omega$.
- EPDM rubber (code 140BI), light color, food quality, abrasion, ozone and weather resistant, cloth finish.
- Compliance acc. to FDA Standards.
- Factor of safety is four times working pressure
- The cover prevents any potential risk of contamination of the working environment.
- The fluorinated Inner liner is much more water proof and mirror smooth then any other fluorinated material available in the market.
- Suction and delivery hose

CERTIFICATE: PFA

- Compliance: USP Class VI, 3A, FDA Standards, D.M. 21/03/73 and following amendments, Regulation EU n. 10/2011, ISO 10993-4, -10, -11, non-cytotoxic according to ISO 10993-Part 5.
- E.P. 1450092.
- E.P. 1580475.
- U.S. Patent 7,389,799
- Hose in accordance with EC 1935/2004 and 2023/2006/EC (GMP). Our production cycle is free from animal derived ingredients, phthalates, adipates and materials subject to restrictions acc. to EC 1907/2006 (REACH). Non-plasticized inner tube.
- Hose in accordance with EC 1935/2004 and 2023/2006/EC (GMP). Our production cycle is free from animal derived ingredients, phthalates, adipates and materials subject to restrictions acc. to EC 1907/2006 (REACH).
- Bending cycles according to ASTM D 2176.

SILICONE HOSE

Smooth Bore Platinum Cured Silicon Hose With 4 Layer Polyester Yarn With Vacuum Wire

Platinum Cured Silicone rubber, translucent (code SILICONE-3362PT), Food and pharmaceutical quality, odourless and tasteless, smooth, glossy finish. High strength polyester plies.

Embedded stainless steel helix wire **AISI 316**

Silicone hose for suction and delivery of high products, foodstuff and fluids with alcohol content up to 96%. Reinforced version suitable for process application requiring a tight bending radius and a high vacuum resistance. Normally used in food, pharmaceutical and cosmetic industries and High suction capacity. From -60°C to +200°C



TECHNICAL SPECIFICATIONS

SIZE TOLERANCES: I.D. ISO 1307 Wall Thickness: DIN 7715 T4 S2-Length: ISO 1307

Inner Diameter mm	Outer Diameter mm	Wall Thickness mm	Working Pressure BAR	Burst Pressure BAR	Min. Bending Radius mm	Vacuum BAR	Approx Weight kg/m	Max. Length m
10	22	6.0	10	30	50	-0.9	0.38	30
13	25	6.0	10	30	52	-0.9	0.45	30
16	29	6.5	10	30	60	-0.9	0.53	30
19	32	6.5	10	30	66	-0.9	0.62	30
25	38	6.5	10	30	86	-0.9	0.78	30
32	45	6.5	10	30	110	-0.9	0.92	30
38	52	7.0	10	30	130	-0.9	1.25	30
50	64	7.0	10	30	200	-0.9	1.62	30
65	79	7.0	8	24	250	-0.9	2.22	20
75	89	7.0	8	24	350	-0.9	2.70	20
100	114	7.0	7	21	500	-0.9	3.62	20

- (*) At a temperature of +100°C the W.P. decreases by 20%
- Above technical data refer to application at room temperature (+20° C)
- Other sizes are available on demand. Please contact our Sales Department.

SILICONE HOSE

Smooth Bore Platinum Cured Silicon Hose With 2 Layer Polyester Yarn.

Platinum Cured, Silicone rubber, translucent (code SILICONE-3362PT), food and pharmaceutical quality, odourless and tasteless, smooth, glossy finish.
Silicone hose for delivery of high purity products, foodstuff and fluids with alcohol content up to 96%.
Normally used in food, pharmaceutical and cosmetic industries.
From -60°C to +200°C



TECHNICAL SPECIFICATIONS

SIZE TOLERANCES: I.D.: ISO 1307-Wall Thickness: DIN 7715 T4 S2-Length: ISO 1307

Inner Diameter mm	Outer Diameter mm	Wall Thickness mm	Working Pressure BAR	Burst Pressure BAR	Min. Bending Radius mm	Vaccum BAR	Approx Weight kg/m	Max. Length m
13	24	5.5	10	40	-	-	0.374	20
19	30	5.5	10	40	-	-	0.490	20
25	37	6.0	10	40	-	-	0.602	20
38	49	5.5	10	40	-	-	0.862	20
51	62	5.5	7	28	-	-	1.222	20

(*) At a temperature of +100°C the W.P. decreases by 20%. Above technical data refer to application at room temperature € 1+20°
Other sizes are available upon request. Please contact our Sales Department.

Smooth Bore Platinum Cured Silicon Hose With Single Layer Polyester Yarn.

Platinum-cured silicone rubber, pharmaceutical and food quality, light colour, odourless and tasteless, mirror smooth. Plies of synthetic cord.
Platinum-cured silicone hose, designed for conveying high-purity products. It is normally used in the pharmaceutical, cosmetic, biotech and food industry. Delivery hose, not recommended for suction Hose in accordance with EC 1935/2004. Autoclavable.
From -60°C to +180°C depending on the fluids conveyed
End Connection:- are also available such as TC, Flange, Camlock, SMS, DIN, etc



TECHNICAL SPECIFICATIONS

SIZE TOLERANCES: I.D.: ISO 1307 - Wall Thickness: DIN 7715 T4 S2 - Length: ISO 1307

Inner Diameter mm	Outer Diameter mm	Wall Thickness mm	Working Pressure BAR	Burst Pressure BAR	Min. Bending Radius mm	Vaccum BAR	Approx Weight kg/m	Max. Length m
3.18	9.81	-	15	45	30	-	70	25
4.72	11.35	-	15	45	35	-	106	25
6.35	13.03	-	15	45	40	-	124	25
7.93	14.61	-	12	36	45	-	147	25
9.52	16.32	-	12	36	50	-	175	25
12.70	20.10	-	10	30	65	-	237	25
15.87	24.37	-	8	24	75	-	330	25
19.05	27.91	-	8	24	80	-	415	25
22.20	31.12	-	5	15	100	-	455	25
25.40	34.50	-	5	15	120	-	513	10
31.75	40.80	-	4	12	150	-	617	10

Chemical resistance acc. to Chemical Resistance Chart. Above technical data refer to application at room temperature (+20°C)

CERTIFICATION-FOR SILICON HOSE

FDA Regulations CFR 177.2600

- USP XXVI CLASS VI
- USDA Standards European Pharmacopoeia 3.1.9
- German GBVV XVA LIIA
- ISO 10993 Sections 4-11 non-cytotoxic according to ISO 10993-Part 5.

Platinum Cured Silicon Tube/ Peristaltic Pump Tube

Platinum Cured Translucent Silicone Tubing A very popular all-rounder, suitable for food contact, peristaltic pumps and hundreds of other applications.

Colored Tubing-A comprehensive range of regular sizes and popular colours.

Dairy Tubing A comprehensive range of silicone tubing specifically tailored to meet the demands of the dairy industry.

Silicone rubber, translucent (code SILICONE-3362PT), food and pharmaceutical quality, odourless and tasteless, smooth, glossy finish.

This product is particularly suited to the food and pharmaceutical industries that require a soft, compressible material with excellent thermal stability from -50°C up to +200°C.



ID (mm)	Tols (mm)	Wall (mm)	Tols (mm)	OD (mm)
0.50	± 0.10	0.50	± 0.10	1.50
0.50	± 0.10	0.80	± 0.10	2.10
0.80	± 0.10	0.80	± 0.10	2.40
1.00	± 0.10	0.50	± 0.10	2.00
1.00	± 0.10	1.00	± 0.10	3.00
1.50	± 0.10	0.50	± 0.10	2.50
1.50	± 0.10	0.75	± 0.10	3.00
1.50	± 0.10	1.00	± 0.10	3.50
1.60	± 0.10	0.80	± 0.10	3.20
1.60	± 0.10	1.60	± 0.10	4.80
2.00	± 0.15	1.00	± 0.10	4.00
2.00	± 0.15	2.00	± 0.15	6.00
2.40	± 0.15	0.80	± 0.10	4.00
3.00	± 0.15	1.00	± 0.10	5.00
3.00	± 0.15	1.50	± 0.10	6.00
3.00	± 0.15	2.00	± 0.15	7.00
3.20	± 0.15	0.80	± 0.10	4.80
3.20	± 0.15	1.00	± 0.10	5.20
3.20	± 0.15	1.60	± 0.10	6.40
4.00	± 0.20	0.80	± 0.10	5.60
4.00	± 0.15	1.00	± 0.10	6.00
4.00	± 0.20	1.50	± 0.15	7.00
4.00	± 0.20	2.00	± 0.15	8.00
4.00	± 0.20	3.00	± 0.20	10.00
4.80	± 0.20	0.80	± 0.10	6.40
4.80	± 0.20	1.60	± 0.15	8.00
4.80	± 0.20	2.40	± 0.15	9.60
5.00	± 0.20	1.00	± 0.10	7.00
5.00	± 0.20	1.50	± 0.15	8.00
5.00	± 0.20	2.00	± 0.15	9.00
5.00	± 0.20	2.50	± 0.20	10.00
6.00	± 0.20	1.00	± 0.10	8.00
6.00	± 0.20	1.50	± 0.15	9.00
6.00	± 0.20	2.00	± 0.15	10.00
6.00	± 0.25	3.00	± 0.20	12.00

ID (mm)	Tols (mm)	Wall (mm)	Tols (mm)	OD (mm)
6.30	± 0.25	1.60	± 0.15	9.50
6.30	± 0.25	2.40	± 0.15	11.10
6.30	± 0.25	3.20	± 0.20	12.70
6.40	± 0.20	0.80	± 0.10	8.00
7.00	± 0.25	1.50	± 0.15	10.00
7.00	± 0.25	2.00	± 0.20	11.00
8.00	± 0.25	1.00	± 0.10	10.00
8.00	± 0.25	1.60	± 0.15	11.20
8.00	± 0.25	2.00	± 0.20	12.00
8.00	± 0.25	2.40	± 0.20	12.80
8.00	± 0.25	2.50	± 0.20	13.00
8.00	± 0.25	3.00	± 0.20	14.00
8.00	± 0.25	4.00	± 0.20	16.00
9.00	± 0.25	2.00	± 0.15	13.00
9.00	± 0.25	3.00	± 0.20	15.00
9.50	± 0.25	3.20	± 0.20	15.90
9.60	± 0.25	1.60	± 0.15	12.80
9.60	± 0.25	2.40	± 0.20	14.40
10.00	± 0.25	1.00	± 0.15	12.00
10.00	± 0.25	2.00	± 0.15	14.00
10.00	± 0.25	2.50	± 0.20	15.00
10.00	± 0.25	3.00	± 0.20	16.00
10.00	± 0.25	4.00	± 0.25	18.00
12.00	± 0.25	2.00	± 0.20	16.00
12.70	± 0.25	3.20	± 0.20	19.10
12.80	± 0.25	1.60	± 0.15	16.00
12.80	± 0.25	2.40	± 0.20	17.60
13.00	± 0.40	3.00	± 0.20	19.00
15.00	± 0.50	3.00	± 0.20	21.00
16.00	± 0.50	2.40	± 0.20	20.80
16.00	± 0.50	3.00	± 0.20	22.00
19.00	± 0.70	3.20	± 0.20	25.40
20.00	± 0.70	3.00	± 0.20	26.00
22.00	± 0.80	3.00	± 0.20	28.00
25.00	± 0.80	3.00	± 0.20	31.00

SILICONE HOSE

KEY PROPERTIES- SILICON TUBE

Platinum Cured Silicon Tube.

- Temp. Range: -60°C and 200°C. (+260°C on request)
- Coloured covers available
- Smooth inner & outer surface to resist material adhesion
- Repeatedly autoclavable
- Suitable for pressure and vacuum
- Extruded and handmade liners available
- Suitable for CIP cleaning
- Odourless - Tasteless - Non-Toxic

CERTIFICATION

FDA Regulations CFR 177.2600

- Italy Gazette ufficiale - 1973
- USP XXVI CLASS VI
- France Journal Officiel - brochure 1227
- USDA Standards European Pharmacopoeia 3.1.9
- German GBVV XVA LIIA
- ISO 10993 Sections 5-6-10-11
- FDA-BfR

Food Grade Rubber Hose

Food Grade Rubber Hose

NBR rubber (code NAB90), light colour, food quality, odourless and tasteless, mirror-smooth, Plies of synthetic cord Embedded steel helix wire.

CR rubber, blue colour, abrasion and weather resistant, smooth, cloth finish. Temperature From -20°C to +90°C.

Multipurpose hose specifically designed for conveying pharmaceutical, cosmetic, chemical and food industries. Rubber hose specifically designed to convey milk, milk products and fatty liquid foodstuffs.

Normally used in dairy, edible oil mills and food processing industries. Suction and delivery hose.



TECHNICAL SPECIFICATIONS

SIZE TOLERANCES: I.D.:ISO 1307-Wall Thickness: DIN 7715 T4 S2-Length: ISO 1307

Inner Diameter mm	Outer Diameter mm	Wall Thickness mm	Working Pressure BAR	Burst Pressure BAR	Vacuum BAR	Min. Bending Radius mm	Aprox Weight kg/m	Max. Length m
19	31	6.0	10	30	-0.9	80	0.69	40
25	37	6.0	10	30	-0.9	120	0.85	40
32	44	6.0	10	30	-0.9	150	1.04	40
38	52	7.0	10	30	-0.9	200	1.56	40
40	54	7.0	10	30	-0.9	200	1.62	40
45	59	7.0	10	30	-0.9	225	1.78	40
50	64	7.0	10	30	-0.9	250	1.95	40
52	66	7.0	10	30	-0.9	280	2.10	40
60	76	8.0	10	30	-0.9	330	2.72	40
65	81	8.0	10	30	-0.9	360	2.93	40
70	86	8.0	10	30	-0.9	420	3.14	40
75	93	9.0	10	30	-0.9	450	3.82	40
80	98	9.0	10	30	-0.9	480	3.95	40
100	118	9.0	10	30	-0.9	600	5.20	40

Food Grade Rubber Hose

EPDM rubber, blue colour, smooth, abrasion and weather resistant, cloth finish. Resistant to traces of animal and vegetable fats. Plies of synthetic cord. temperature From -40°C to +164°C.

Multipurpose Hose specially designed to convey pharmaceutical, cosmetic and chemical substances. Food quality rubber hose, specifically designed for cleaning operations with saturated steam (up to +164°C) and hot water wash down services.

Normally used in dairy industries, creameries and food processing facilities for safe

operations during cleaning processes with hot water and steam. Suitable for transfer of saturated steam only for discontinuous use.



TECHNICAL SPECIFICATIONS

SIZE TOLERANCES: I.D.:ISO 1307-Wall Thickness: DIN 7715 T4 S2-Length: ISO 1307

Inner Diameter mm	Outer Diameter mm	Wall Thickness mm	Working Pressure at +134°C BAR	Burst Pressure at +95°C BAR	Vacuum BAR	Min. Bending Radius mm	Aprox Weight kg/m	Max. Length m
10	20	5	6	20	-	75	0.27	40
13	23	5	6	20	-	100	0.32	40
16	28	6	6	20	-	120	0.48	40
19	31	6	6	20	-	160	0.54	40
25	39	7	6	20	-	200	0.82	40
32	46	7	6	20	-	260	1.04	40
38	54	8	6	20	-	300	1.40	40
50	67	8.5	6	20	-	380	1.76	40

Transparent Dust Suction Hose

Suction and delivery hose, specifically designed for conveying air mixed with powders.

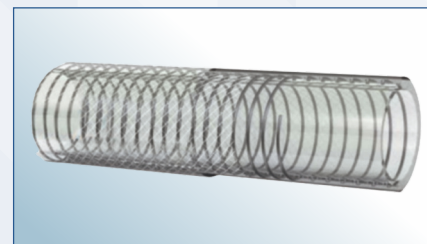
Technopolymer (code 3G26AU), see-through, odourless and tasteless, mirror-smooth.

Abrasion loss: < 36 mm according to DIN 53516.

High strength plies of synthetic cord. Stainless steel helix wire AISI 302.

Technopolymer (code 3G26AU), see-through, odourless and tasteless, smooth, glossy finish.

Resistant to abrasion and ozone. From -10°C to +85°C. Cleaning with water (up to +100°C without pressure) mixed with a normal mild cleaning detergent.



TECHNICAL SPECIFICATIONS

SIZE TOLERANCES: I.D.:ISO 1307-Wall Thickness: DIN 7715 T4 S2-Length: ISO 1307

Inner Diameter mm	Outer Diameter mm	Wall Thickness mm	Working Pressure BAR	Burst Pressure BAR	Min. Bending Radius mm	Vacuum BAR	Aprox Weight kg/m	Max. Length m
25	33	4.0	6	18	150	-0.9	0.38	20
38	46	4.0	6	18	230	-0.9	0.54	20
50	58.5	4.25	5	15	300	-0.9	0.98	20
63.5	72	4.25	4	12	400	-0.9	1.24	10
76	85	4.5	4	12	490	-0.8	1.63	10
100	112	6.0	3	9	700	-0.8	2.48	10

Food Grade Rubber Hose

Food hose of latest generation, specifically designed to meet the demanding requirements of the beer processing industry.

It is suitable for conveying high quality raw, pasteurized and organic beer, alcoholic beverages (alcohol content limit at room temperature: 96%), soft drinks and wine. It is also suitable for conveying fatty liquid foodstuffs.

UPE (Ultra High Molecular Weight Polyethylene), light colour, food grade, odourless and tasteless, mirror smooth. Plies of synthetic cord. CR rubber, red colour, resistant to abrasion, ozone and weather, smooth, cloth finish. From -30°C to +90°C.

End Connection :- are also available such as TC, Flange, Camlock, SMS, DIN, etc



TECHNICAL SPECIFICATIONS

SIZE TOLERANCES: I.D.:ISO 1307-Wall Thickness: DIN 7715 T4 S2-Length: ISO 1307

Inner Diameter mm	Outer Diameter mm	Wall Thickness mm	Working Pressure BAR	Burst Pressure BAR	Vacuum BAR	Min. Bending Radius mm	Aprox Weight kg/m	Max. Length m
13	23	5	16	48	-0.6	80	0.37	40
19	29	5	16	48	-0.6	120	0.48	40
25	37	6	16	48	-0.6	150	0.74	40
32	48	8	16	48	-0.6	200	1.38	40
38	56	9	16	48	-0.6	240	1.85	40
40	60	10	16	48	-0.6	240	2.10	40
50	70	10	16	48	-0.6	300	2.75	40
51	71	10	16	48	-0.6	300	2.80	40
63.5	87.5	12	16	48	-0.5	400	3.90	40
65	89	12	16	48	-0.4	400	4.00	40
75	105	15	16	48	-0.4	450	5.70	40
76	106	15	16	48	-0.4	450	5.75	40
80	110	15	16	48	-0.4	500	5.90	40
100	130	15	16	48	-0.4	600	6.95	40
102	132	15	16	48	-0.4	600	7.00	40

ALL Type Of Fitting Available



Compatibility

A = Excellent (No effect, suitable for long-term service)

B = Good (Minor effect, limited exposure acceptable)

C = Fair (Moderate effect, not recommended for continuous use)

D = Not Recommended (Severe attack or degradation, unsafe)

Chemical	PTFE-Hose	Silicone Hose
A		
Acetic Acid	A	D
Acetone	A	D
Acetonitrile	A	D
Acrylic Acid	A	C/D
Ammonia (Aqueous)	A	B
Amyl Alcohol	A	B
Aniline	A	C
B		
Benzene	A	D
Benzyl Alcohol	A	B
Boric Acid	A	A
Bromine (Liquid)	C	D
Butanol	A	B
Butyric Acid	A	D
C		
Calcium Chloride	A	A
Carbon Disulfide	A	D
Carbon Tetrachloride	A	D
Caustic Soda (Sodium Hydroxide)	A	B
Chlorine (Wet)	A	D
Chlorine (Dry Gas)	C	D
Chloroform	A	D
Chromic Acid	B	D
D		
Diesel Fuel	A	D
Dimethyl Sulfoxide (DMSO)	A	C
Diocetyl Phthalate	A	D
Dioxane	A	C
E		
Ethanol	A	B
Ethyl Acetate	A	D
Ethylene Glycol	A	A
Ether (Diethyl)	A	D
F		
Fluorine (Elemental)	D	D
Formaldehyde	A	B
Formic Acid	A	D
Freon (All types)	A	B
G		
Gasoline	A	D
Glycerin	A	A
Glycolic Acid	A	C
H		
Hydrochloric Acid (Dilute)	A	B
Hydrochloric Acid (Conc.)	A	C
Hydrofluoric Acid ($\leq 75\%$)	A	D
Hydrogen Peroxide ($\leq 30\%$)	A	C
Hydrogen Peroxide ($>90\%$)	B	D
Hypochlorous Acid\	A	C

Chemical	PTFE-Hose	Silicone Hose
I		
Isoamyl Alcohol	A	B
Isopropanol (IPA)	A	B
Iodine Solutions	A	C
K		
Ketones (All types)	A	D
Kerosene	A	D
Ketene	A	D
L		
Lactic Acid	A	C
Lithium Hydroxide	A	B
M		
Mercury	A	A
Methanol	A	B
Methylene Chloride	A	D
Mineral Oils	A	D
Monoethanolamine	A	B
N		
Nitric Acid ($\leq 50\%$)	A	D
Nitric Acid (Conc. $>70\%$)	B	D
Nitrobenzene	A	D
Naphtha	A	D
O		
Oleic Acid	A	D
Oxalic Acid	A	B
Ozone	A	A
P		
Perchloric Acid ($\leq 70\%$)	A	D
Perchloroethylene	A	D
Phenol	A	C
Phosphoric Acid	A	B
Potassium Hydroxide	A	B
Propanol	A	B
Pyridine	A	D
S		
Sodium Hydroxide (All conc.)	A	B
Sodium Hypochlorite	A	C
Sulfuric Acid ($\leq 80\%$)	A	B
Sulfuric Acid (Conc. $>96\%$)	B	D
Styrene	A	D
T		
Toluene	A	D
Trichloroacetic Acid	A	D
Trichloroethylene	A	D
Turpentine	A	D
U		
Urea	A	A
X		
Xylene (o, m, p)	A	D
Z		
Zinc Chloride	A	A

PH Value

A = Excellent → Ideal for continuous use.

B = Good → Suitable for use, but long-term exposure testing advised.

C = Limited → Possible issues; consult manufacturer.

D = Not Recommended → Significant attack/degradation expected.

pH Range	Category	Silicone Hose Compatibility	PTFE Hose Compatibility
< 0	Very Strong Oxidizing Acids	C – D (Limited / Not Recommended)	B (Good)
0 – 2	Strong Acids	B (Good, short-term)	A (Excellent)
2 – 6	Weak Acids	A (Excellent)	A (Excellent)
6 – 8	Neutral Media	A (Excellent)	A (Excellent)
8 – 12	Weak Bases (Alkalis)	B (Good)	A (Excellent)
> 12	Strong Bases (Caustics)	C (Limited)	A (Excellent)
Special Cases	Oils, Solvents, Extreme Media	C–D (Limited / Not Recommended)	A–B (Excellent to Good)

PTFE Hose = Best choice for broad chemical compatibility (acids, caustics, solvents).

Silicone Hose = Best choice for sterile pharma, biotech, and food applications, especially where CIP/SIP steam sterilization and flexibility are critical.

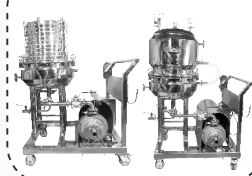
Both materials are FDA, 3A, USP Class VI compliant, but selection depends on media & process.

OTHER SANITARY PRODUCTS

Sanitary Stainless Tube



Sparker Filter Housing



Flow Divert Valve



SS Cross Over Bench



Diaphragm Valve



Sterile Filter Housing



Filter Housing



S Type Cross Over Bench



Sanitary Check Valve



Tank Bottom Diaphragm Valve



Our products are precisely built to comply with different standards such as ASME, BPE, 3A, BS and SMS Size ¼" to 6"

Follow us



Plot No. C-9, Office No. 310, 3rd floor, Globe Estate, M.I.D.C., Phase-1,
Dombivli (East) -421 203. Mumbai, Maharashtra, India.
Office No.: 8657453269 | 8657453270 | marketing@neelpharma.com

Scan to Visit

